

All Round Depositor

# ARZ-4W ZEUS

## Long-awaited Machine has come!



JAPAN SYSTEM CO.,LTD.

JAPAN SYSTEM CO.,LTD.

All Round Depositor ZEUS **ARZ-4W**

### Specifications

Model	ARZ-4W
Name	All Round Depositor ZEUS
Filling amount	700cc/cycle
Processing capability	4 to 6 sheets/minute
Pan width	300mm to 480mm
Pan depth	100mm(Max)
Hopper capacity	45ℓ
Conveyor speed	Adjustable (Max 20.0m/minute)
Voltage	200V three-phase (50/60Hz) 20A
Wattage	1.4kW
Weight	380kg
Air source	0.5MPa 20ℓ/minute

### Applicable Filling

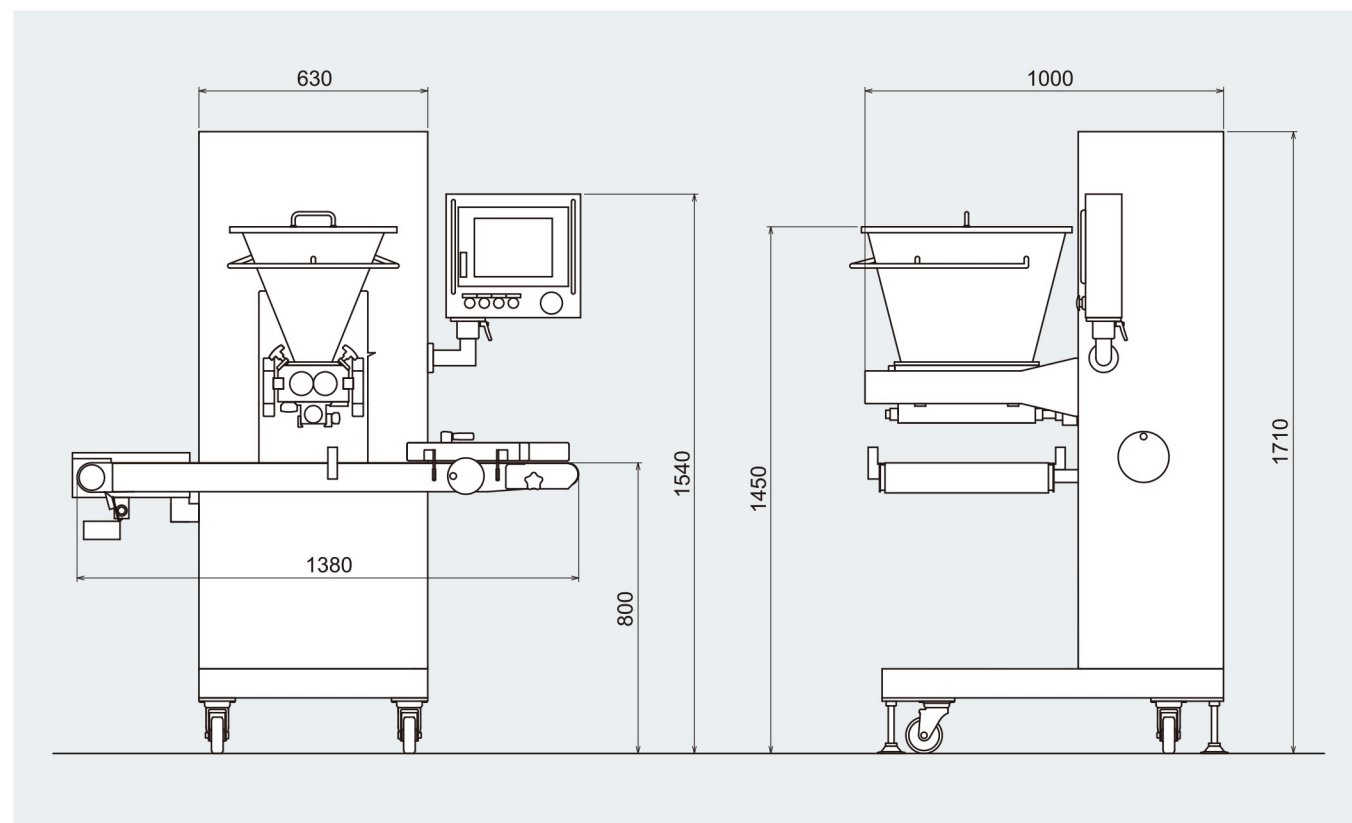
#### Standard Nozzle

Puff  
Eclair  
Pound cake  
Muffin  
Cup cake  
Roll cake  
Fruit cake  
Charlotte  
Bouchee  
Cream application, others

#### Valve device

Financier  
Madeleine  
Macaron  
Sponge sheet cake  
Sponge cake  
Cheese cake  
Chiffon cake  
Steamed cake  
Souffle  
Mousse, others

### Dimensions



\*We will respond to consultation regarding to make production lines and layout drawings.

\*The specifications are subject to change without notice.

#### Manufacturer

### Japan System Co., Ltd.

1440 Mitsubuchi, Komaki City, Aichi 485-0075, Japan  
TEL: 81-568-75-6411 FAX:81-568-75-5110

<https://www.jpn-sys.co.jp>  
[js@jpn-sys.co.jp](mailto:js@jpn-sys.co.jp)

#### Distributor



# All Round Depositor

# ARZ-4W

**ZEUS**

## Features

- Six-blade rotors **don't hurt the filling.**
- It can be used **for delicate dough.**
- Its high filling accuracy works **for reducing the filling loss.**
- The wide variety of fillings can be squeezed **with easy nozzle replacement.**
- Possible to disassemble the filling unit, so it can be washed **efficiently and hygienic** in short time.
- Anyone can **assemble the parts easily.**



Easy to exchange the conveyor belt



Optional part (Wire-cut device)



**It's easy to be disassembled.**  
**The wide variety of fillings can be squeezed by only single unit.**



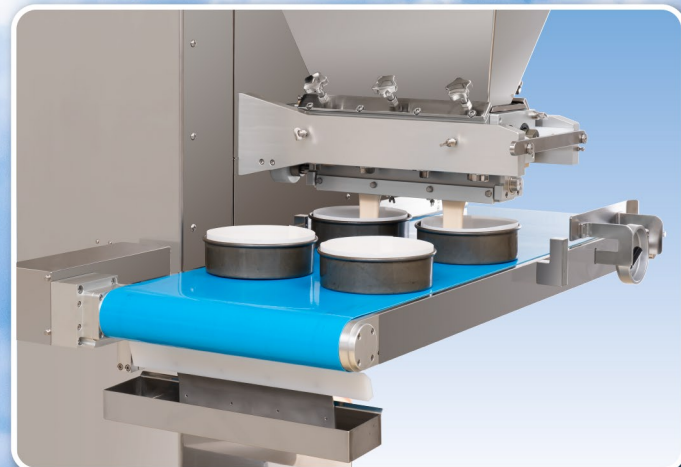
► Puff



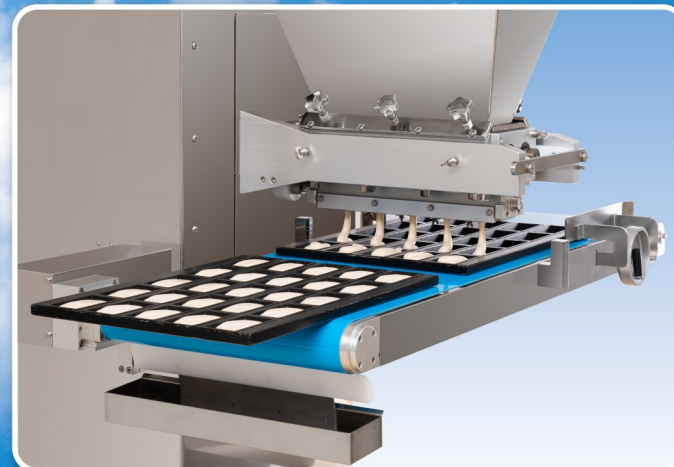
► Eclair



► Sponge cake



► Financier



► Sponge sheet cake



### Improved points from the conventional model (AR-52-4W)

- It is very easy to replace and clean the conveyor belt (antibacterial).
- It's more hygienic due to the space under the conveyor belt
- It has been more convenient due to movable touch panel.
- Safety has been also improved by installing the operation permission button.
- New design of drive equipment and control equipment has made it easy maintenance.
- The conveyor speed has been adjustable for each product.
- It is easy to move this depositor since it is lightness and more compactness.